

YOKOGAWA ◆

Personal Conductivity Meter MODEL SC72

NEW

Features

■ Waterproof Construction

- Conforms to IP67

■ Various and Convenient Functions

- Data memory
- Alarm
- Date/ time display switchable

■ Self-diagnostics

- Calibration check
- Over range, etc.

■ Compact and Stable Design

- Fits comfortably your hand
- Stands firm on the table

● **Battery condition indicator**
Remaining battery life at a glance
Long battery life: approx.200 hours of continuous use with 2AA alkaline batteries

● **Large and easy-to-read LCD display**

● **Power on/off key**
Auto power off function

● **HOLD key**
Holds the displayed measured value temporarily

● **DATA key**
Gives access to 300 data points (measured conductivity/ temperature,date,time)

● **Entry keys**
For data setting,range setting, temperature compensation setting, standard solution calibration, cell constant setting, etc.



Bulletin 12D03D02-01E

Model and Suffix Code

SC72 Personal Conductivity Meter

Model	Suffix Code	Option Code	Description
SC72			
Conductivity sensors	-00	—	Without sensor
	-11	—	With sensor for high purity water measurement (cable length: 75 cm)
	-21	—	With general-purpose sensor (cable length: 75 cm)
	-23	—	With general-purpose sensor (cable length: 3 m)
	-31	—	With chemical-resistant sensor (cable length: 75 cm)
	-41	—	With sensor for high conductivity measurement (cable length: 75 cm)
Label language	-J	—	Japanese
	-E	—	English
	-AA	—	Always -AA

SC72SN Conductivity Sensor for Personal Conductivity Meter

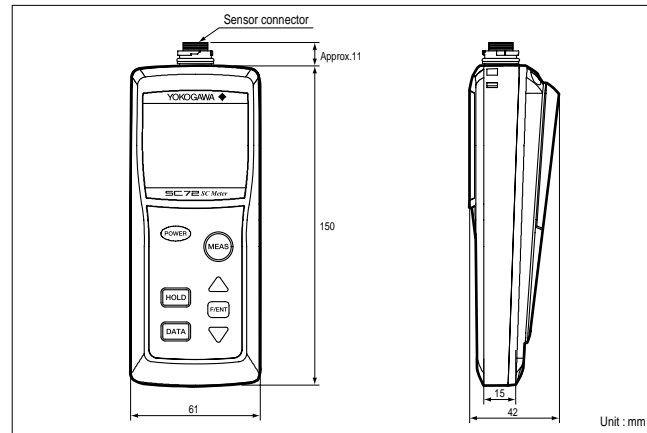
Model	Suffix Code	Option Code	Description
SC72SN			
Sensor	-11	—	For SC72: for high purity water measurement (cable length: 75 cm)
	-19*	—	For SC82: for high purity water measurement (cable length: 75 cm)
	-21	—	For SC72: general-purpose type (cable length: 75 cm)
	-23	—	For SC72: general-purpose type (cable length: 3 m)
	-29*	—	For SC82: general-purpose type (cable length: 75 cm)
	-31	—	For SC72: chemical-resistant type (cable length: 75 cm)
	-39*	—	For SC82: chemical-resistant type (cable length: 75 cm)
	-41	—	For SC72: for high conductivity measurement (cable length: 75 cm)
	-49*	—	For SC82: for high conductivity measurement (cable length: 75 cm)
	-AA	—	Always -AA

* Combination of conductivity sensor for SC82 with SC72 meter will not be IP67 waterproof.

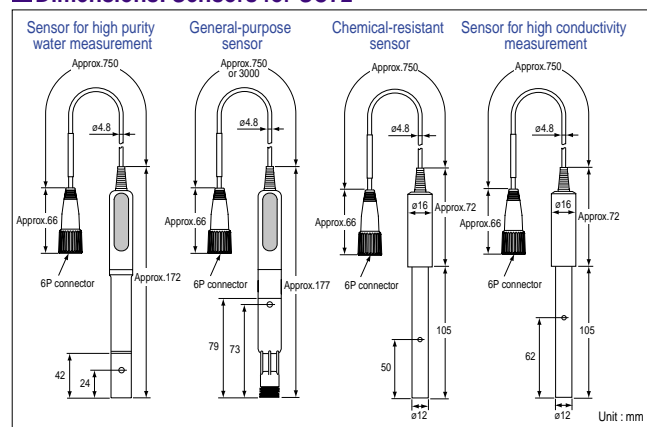
Specifications

		SC72
Measurement	Conductivity of solution	
Unit	S/cm or S/m	
Measurement range	Conductivity	0 to 2 μ S/cm through 0 to 2 S/cm (depends on sensor to be used)
	Resistivity	0 to 40.0 M Ω -cm (Only with sensor SC72SN-11-AA)
	Temperature	0 to 80°C
Resolution	Conductivity	0.05%
	Resistivity	0.1 M Ω -cm
	Temperature	0.1°C
Repeatability	Conductivity	\pm 1% Range Full Scale, \pm 1 digit
Display	Digital LCD	
Indication	Simultaneous display of conductivity, resistivity, solution temperature and temperature coefficient, various messages	
Range switching	Automatic/manual	
Temperature compensation	Temperature coefficient (0 to 9.99%/°C) or NaCl coefficient	
Ambient temperature	0 to 50°C	
Construction	IP67 (JIS C0920)	
Weight	Approx. 220 g max (without sensor)	
Power source	2 AA size alkaline dry cell batteries	
Battery life	Approx. 200 hours, Auto power off function	
Functions	Data memory (300 points), clock, audio alarm	
Wetted-Part Materials of Probes	SC72SN-1□	For high purity water measurement JIS SUS 316 stainless steel (electrode element) Polypropylene resin (insulated area) Fluoro rubber (O-ring)
	SC72SN-2□	General-purpose type Titanium (electrode) Polyphenylene sulfite resin and polypropylene resin (insulated area and cover) Fluoro rubber (O-ring)
	SC72SN-3□	Chemical-resistant type Glass, platinum black (electrode element)
	SC72SN-4□	For high conductivity measurement Glass, platinum black (electrode element)

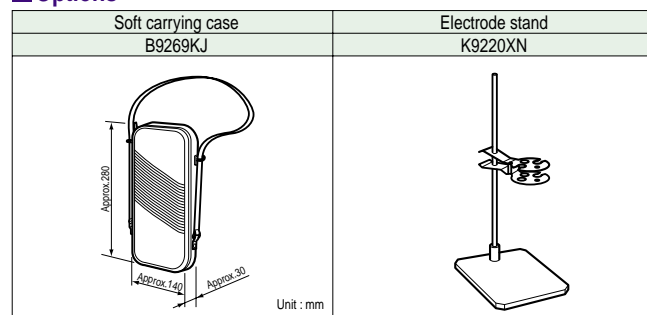
Dimensions: SC72 Meter



Dimensions: Sensors for SC72



Options



Conductivity Measurement Range and cell constant

General-purpose and Chemical-resistant sensors	Minimum range	0 to 20 μ S/cm (0 to 2 mS/m)	5 cm ⁻¹
	Maximum range	0 to 200 mS/cm (0 to 20 S/m)	
Sensor for high conductivity measurement	Minimum range	0 to 2 mS/cm (0 to 200 mS/m)	50 cm ⁻¹
	Maximum range	0 to 2 S/cm (0 to 200 S/m)	
Sensor for high purity water measurement	Minimum range	0 to 2 μ S/cm (0 to 200 μ S/m)	0.05 cm ⁻¹
	Maximum range	0 to 200 μ S/cm (0 to 20 mS/m)	
	Resistivity	0 to 40.0 M Ω -cm (0 to 400 k Ω -m)	